

# PURGENVENT™

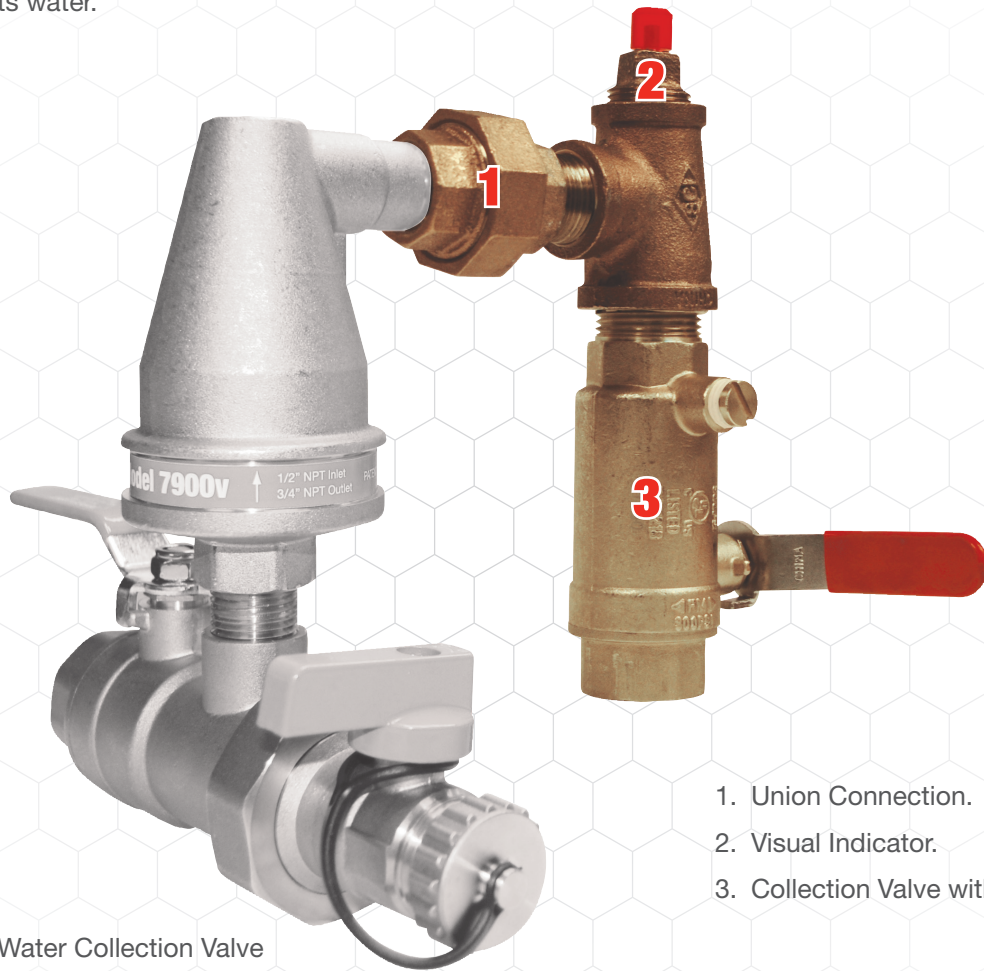
## Model 7925VI

WWW.PURGENVENT.COM

### Visual Air Venting Valve Collection Accessory for M7900AAV and M7950ILV

The PURGENVENT™ Model 7925VI Air Venting Valve Collection Assembly is designed to collect any moisture that may be expelled by the air venting valve while releasing air.

When water reaches the collection valve a visual indicator will rise from the top of the M7925VI. The indicator has a maximum rise of approximately  $2\frac{5}{16}$ " before it is completely full. AGF recommends emptying the collection valve anytime the indicator detects water.



#### Features:

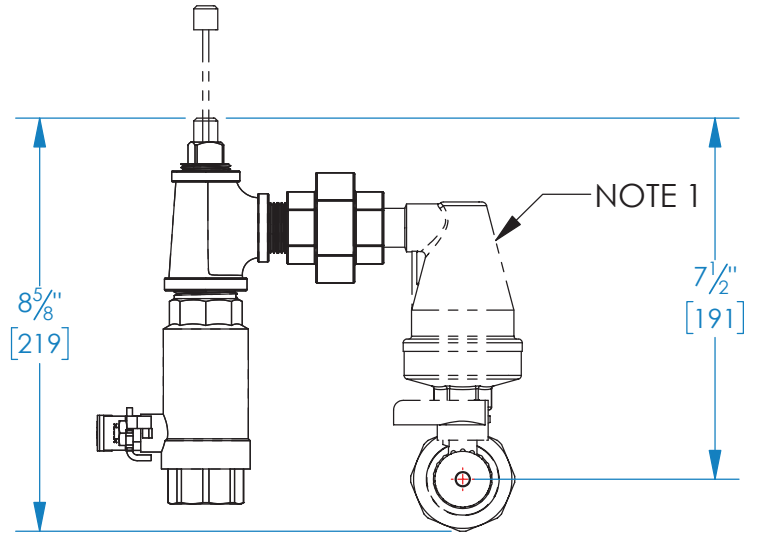
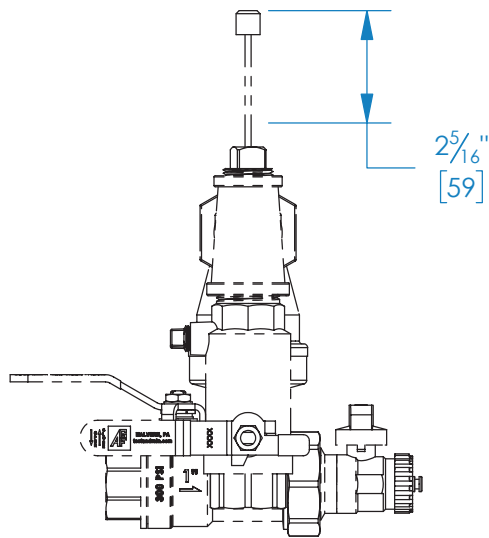
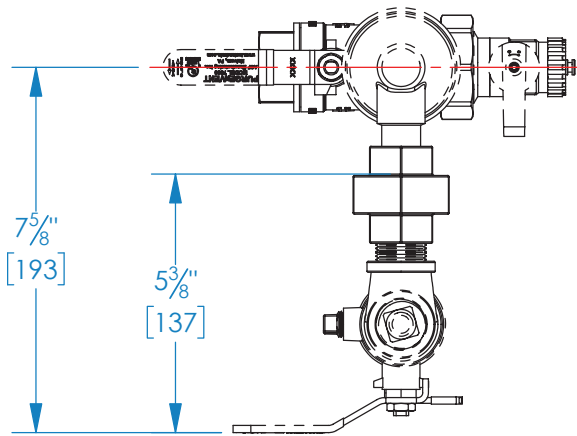
- Visual Indicator
- 1" MIPT x FIPT Water Collection Valve
- Union Connection
- Easy to Install

1. Union Connection.
2. Visual Indicator.
3. Collection Valve with Lever Handle.



**Reliability, Versatility, Code Compatibility**

## Model 7925VI Dimensions



### Notes:

1. Model 7900AAV sold separately.
2. 7925VI can be mounted to either side of M7900AAV.

Item ID	Item Description
7925VI	Visual Water Collection Valve Assembly

**Patent Pending**



**AGF Manufacturing Inc.**  
 100 Quaker Lane, Malvern, PA 19355  
 Phone: 610-240-4900  
 Fax: 610-240-4906  
[www.agfmanufacturing.com](http://www.agfmanufacturing.com)

Job Name: \_\_\_\_\_

Architect: \_\_\_\_\_

Engineer: \_\_\_\_\_

Contractor: \_\_\_\_\_